



**HIGH
RATE
MAX^{XT}**



UPS12-400MRX

Valve Regulated Lead Acid Battery

Designed for UPS Standby Power Applications

FEATURES AND BENEFITS

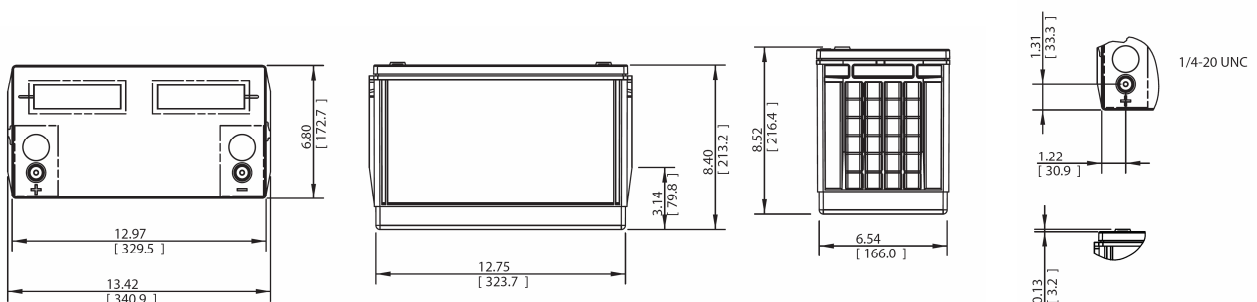
APPLICATIONS

- Data Centers
- Network Operation Centers
- Industrial Process Control Facilities
- Internet Housing Sites
- Semiconductor Manufacturing
- Banks and Financial Markets
- Power Generation Plants
- Hospital and Testing Laboratories
- Emergency Response Center

- 12 year design life @ 25°C
- Eurobat classification: Long life
- Absorbent Glass Mat (AGM) technology for efficient gas recombination of up to 99% and freedom from electrolyte maintenance.
- 3 Year Warranty (refer Dynasty warranty card, 41-9027)
- Patented Long Life Alloy having the lowest calcium levels in the industry - minimizing grid growth, reducing gassing, and extending battery life
- Patented UL Recognized Flame-arresting vents in each cell for safety and long life.
- Designed with the same recombination, thermal runaway prevention, gassing and flame retardant characteristics of the Bellcore 4228 compliant Dynasty Telecom products.
- Flame retardant polypropylene case and cover compliant with UL94V-2
- Proprietary Fixed Orifice Plate Pasting technology applying active materials on both sides of the grid for consistent cell-to-cell performance, higher capacity and uniform grid protection.
- Thermally welded case-to-cover bond to eliminate leakage
- Can be operated in upright, side or end mounting orientation.
- Not restricted for air transport -Complies with IATA/ICAO Special Provisions A67.
- Not restricted for surface transport - Classified as non-hazardous material as related to DOT-CFR Title 49 parts171-189
- Not restricted for water transport - Classified as non-hazardous material per IMDG Amendment 27.

Specifications

Cells Per Unit	Voltage Per Unit	Weight	Watts/Cell @ 15min	1 Min Current to 1.75VPC	IEC Short Circuit Current	IEC Resistance
6	12V	35.3 Kg	400	572 Amps	3059 Amps	4.06 (mOhms)



*All dimensions in inches and (millimeters). All dimensions are for reference only. Contact a C&D Representative for complete dimensional information.

Specifications

Operating Temperature Range with temperature compensation	Discharge: -40° F (-40° C) to +160° F (71° C) Charge: -10° F (-23° C) to +140° F (60° C)
Nominal Operating Temperature Range	+74° F (23° C) to +80° F (27° C)
Recommended Maximum Charging Current Limit	C/5 amperes @ 20hr rate
Float Charging Voltage	13.65 ± 0.15 VDC average per 12V unit
Maximum AC Ripple (Charger)	0.5% RMS or 1.5% P-P of float charge voltage recommended for best results. Max voltage allowed = 1.4% RMS (4% P-P) Max current allowed = C/20
Self Discharge	Battery can be stored up to 6 months at 77° F (25° C) before a freshening charge is required. Batteries stored at temperatures greater than 77° F (25° C) will require recharge sooner than batteries stored at lower temperatures. See C&D brochure 41-7272, Self-Discharge and Inventory Control for details.
Equalize charge and cycle service voltage	14.40 to 14.80 VDC average per 12V unit @ 77° F (25° C)
Terminal	Threaded copper alloy insert terminal to accept 1/4-20 UNC bolt
Terminal Hardware Initial Torque	110 in.-lbs. (12.4 N-m)

Constant Power Discharge Table - Watts Per Cell @ 25°C (77°F)

Operating Time to End Point Voltage

EPV	5 min	10 min	15 min	20 min	25 min	30 min	45 min	60 min	90 min	2 hr	3 hr	4 hr	5 hr	8 hr	10 hr	12 hr	20 hr
1.85	547.6	411.9	338.7	286.4	251.4	226.0	175.4	146.5	104.3	81.9	58.3	45.8	38.0	25.2	20.5	17.3	10.8
1.80	614.9	461.7	372.7	311.0	270.2	241.0	185.4	153.9	109.2	85.6	60.7	47.6	39.4	26.2	21.3	17.9	11.2
1.75	640.3	483.1	386.1	323.7	282.2	252.4	191.3	157.2	111.4	87.2	61.8	48.4	40.0	26.6	21.6	18.2	11.3
1.70	664.0	502.9	399.8	333.3	289.4	257.9	194.0	158.5	112.3	87.9	62.2	48.7	40.3	27.0	21.8	18.4	11.3
1.67	674.0	516.7	407.7	339.0	293.8	261.4	195.6	159.3	112.8	88.3	62.5	48.9	40.5	27.1	21.9	18.4	11.4
1.65	679.3	522.4	411.6	342.2	296.4	263.7	196.7	159.8	113.1	88.6	62.7	49.1	40.6	27.1	22.0	18.5	11.4

Constant Current Discharge Table - Amps @ 25°C (77°F)

Operating Time to End Point Voltage

EPV	5 min	10 min	15 min	30 min	60 min	90 min	2 hr	3 hr	4 hr	5 hr	6 hr	7 hr	8 hr	10 hr	12 hr	20 hr	24 hr
1.90	214.4	201.5	162.3	109.9	68.2	47.6	36.9	25.8	20.0	16.4	14.0	12.2	10.8	8.9	7.6	4.8	4.1
1.85	295.7	236.8	189.0	122.2	74.8	52.2	40.4	28.2	21.8	17.9	15.2	13.3	11.8	9.7	8.2	5.2	4.4
1.80	346.5	262.6	210.0	131.0	78.7	54.7	42.3	29.4	22.7	18.6	15.8	13.8	12.2	10.0	8.5	5.4	4.6
1.75	363.0	277.5	220.0	134.8	79.7	55.5	42.9	29.8	23.2	19.0	16.1	14.0	12.5	10.2	8.6	5.5	4.6

Note: Batteries to be mounted with 0.5 in. (1.25 cm) spacing minimum and free air ventilation. Specifications subject to change without notification.