



**HIGH
RATE
MAX^{XT}**



UPS12-370R MRX

Valve Regulated Lead Acid Battery

Designed for UPS Standby Power Applications

FEATURES AND BENEFITS

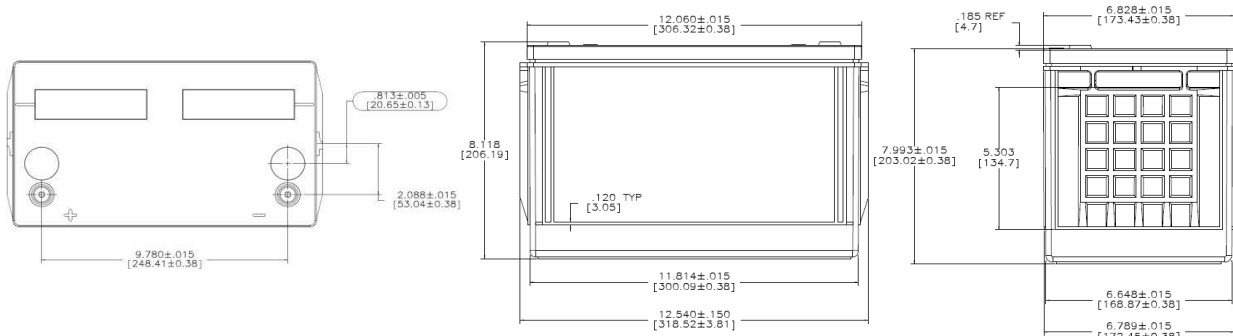
APPLICATIONS

- Data Centers
- Network Operation Centers
- Industrial Process Control Facilities
- Internet Housing Sites
- Semiconductor Manufacturing
- Banks and Financial Markets
- Power Generation Plants
- Hospital and Testing Laboratories
- Emergency Response Center

- 12 year design life @ 25°C
- Eurobat classification: Long life
- Absorbent Glass Mat (AGM) technology for efficient gas recombination of up to 99% and freedom from electrolyte maintenance.
- 3 Year Warranty (refer Dynasty warranty card, 41-9027)
- Patented Long Life Alloy having the lowest calcium levels in the industry - minimizing grid growth, reducing gassing, and extending battery life
- Patented UL Recognized Flame-arresting vents in each cell for safety and long life.
- Designed with the same recombination, thermal runaway prevention, gassing and flame retardant characteristics of the Bellcore 4228 compliant Dynasty Telecom products.
- Flame retardant polypropylene case and cover compliant with UL94V-2
- Proprietary Fixed Orifice Plate Pasting technology applying active materials on both sides of the grid for consistent cell-to-cell performance, higher capacity and uniform grid protection.
- Thermally welded case-to-cover bond to eliminate leakage
- Can be operated in upright, side or end mounting orientation.
- Not restricted for air transport -Complies with IATA/ICAO Special Provisions A67.
- Not restricted for surface transport - Classified as non-hazardous material as related to DOT-CFR Title 49 parts 171-189
- Not restricted for water transport - Classified as non-hazardous material per IMDG Amendment 27.

Specifications

Cells Per Unit	Voltage Per Unit	Weight	Watts/Cell @ 15min	1 Min Current to 1.75VPC	IEC Short Circuit Current	IEC Resistance
6	12V	31.5 Kg	370	541 Amps	2734 Amps	4.65 (mOhms)



*All dimensions in inches and (millimeters). All dimensions are for reference only. Contact a C&D Representative for complete dimensional information.

Specifications

Operating Temperature Range with temperature compensation	Discharge: -40° F (-40° C) to +160°F (71°C) Charge: -10°F (-23°C) to +140°F (60°C)
Nominal Operating Temperature Range	+74° F (23°C) to +80°F (27°C)
Recommended Maximum Charging Current Limit	C/5 amperes @ 20hr rate
Float Charging Voltage	13.65 ± 0.15 VDC average per 12V unit
Maximum AC Ripple (Charger)	0.5% RMS or 1.5% P-P of float charge voltage recommended for best results. Max voltage allowed = 1.4% RMS (4% P-P) Max current allowed = C/20
Self Discharge	Battery can be stored up to 4 months at 77° F (25°C) before a freshening charge is required. Batteries stored at temperatures greater than 77°F (25°C) will require recharge sooner than batteries stored at lower temperatures. See C&D brochure 41-7272, Self-Discharge and Inventory Control for details.
Equalize charge and cycle service voltage	14.40 to 14.80 VDC average per 12V unit @ 77° F (25°C)
Terminal	Threaded copper alloy insert terminal to accept 1/4-20 UNC bolt
Terminal Hardware Initial Torque	110 in.-lbs. (12.4 N-m)

Constant Power Discharge Table - Watts Per Cell @ 25°C (77°F)

Operating Time to End Point Voltage

EPV	5 min	10 min	15 min	20 min	25 min	30 min	45 min	60 min	90 min	2 hr	3 hr	4 hr	5 hr	8 hr	10 hr	12 hr	20 hr
1.85	523.1	391.5	310.7	262.1	229.7	206.2	158.6	131.6	93.4	73.2	52.0	40.8	33.8	22.5	18.4	15.5	9.8
1.80	572.1	435.3	339.8	283.3	245.9	219.2	167.0	137.7	97.4	76.1	53.8	42.8	34.6	23.0	18.8	16.0	10.1
1.75	605.2	461.0	359.5	297.3	256.5	227.4	171.3	140.1	98.8	77.1	54.4	42.6	34.9	23.2	19.0	16.2	10.4
1.70	622.7	474.8	369.9	304.5	261.8	231.5	174.3	142.5	100.2	78.0	54.9	42.8	35.2	23.4	19.1	16.3	10.4
1.67	633.5	484.7	376.3	309.0	265.1	234.0	175.9	143.7	100.8	78.4	55.2	43.0	35.4	23.5	19.2	16.4	10.4
1.65	640.8	491.5	380.6	312.0	267.3	235.7	177.3	144.9	101.5	78.8	55.3	43.1	35.5	23.5	19.2	16.4	10.5

Constant Current Discharge Table - Amps @ 25°C (77°F)

Operating Time to End Point Voltage

EPV	5 min	10 min	15 min	30 min	60 min	90 min	2 hr	3 hr	4 hr	5 hr	6 hr	7 hr	8 hr	10 hr	12 hr	20 hr	24 hr
1.90	217.8	191.5	159.6	103.3	61.7	43.3	33.7	23.6	18.4	15.1	12.9	11.3	10.0	8.3	7.0	4.5	3.8
1.85	291.3	223.0	178.0	114.5	67.4	47.2	36.7	25.7	20.0	16.4	14.0	12.2	10.9	8.9	7.6	4.9	4.1
1.80	316.8	241.4	192.0	122.5	69.3	48.6	37.8	26.5	20.6	17.0	14.5	12.6	11.3	9.3	7.9	5.1	4.3
1.75	330.3	251.3	200.2	125.5	71.0	49.7	38.6	27.1	21.0	17.3	14.7	12.9	11.4	9.4	8.0	5.1	4.4

* UPS12-370R MRX is the same product as UPS12-370 MRX, but changes the side structure design of container with adding strengthen rib to improve appearance and strength.

Note: Batteries to be mounted with 0.5 in. (1.25 cm) spacing minimum and free air ventilation. Specifications subject to change without notification.